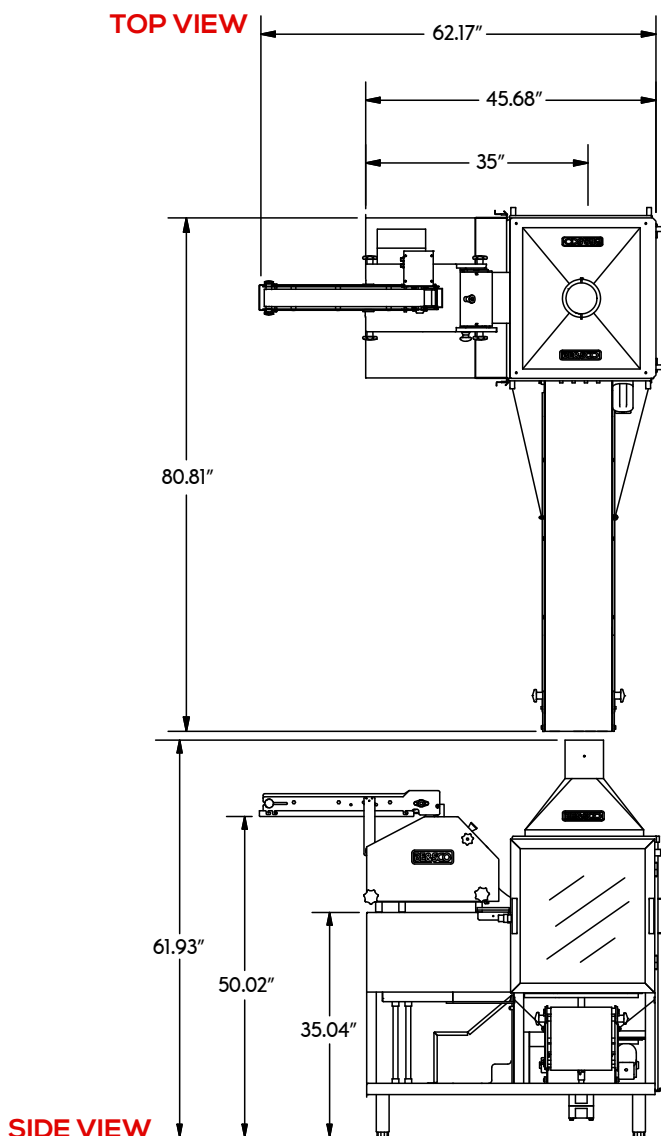


# BETA 900 GAS - RIGHT EXIT - 60" AUTOMATIC FLATBREAD PRESS, OVEN & DTL



-  CALIBRATED TO YOUR RECIPE
-  900/HR. HIGH PRODUCTION
-  AUTOMATIC
-  DIAMETER FROM 4" TO 7"
-  SINGLE PERSON OPERATION

<b>VOLTS</b>	230V	<b>DIMENSIONS</b>	80.81" L X 62.17" W X 61.93" H
<b>AMPS</b>	20	<b>ELECTRICAL</b>	3-WIRE, SINGLE PHASE (L1-L2-G)
<b>CYCLES</b>	60HZ	<b>POWER (GAS)</b>	45000 BTU/HR
<b>WEIGHT</b>	750LBS.	<b>POWER (ELECTRIC)</b>	4600 WATTS



\*Production may vary due to the operator experience, diameter and thickness of product.  
 BE&SCO EQUIPMENT IS SOLELY INTENDED FOR USE IN A COMMERCIAL FACILITY.

